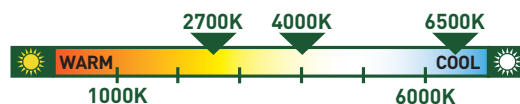
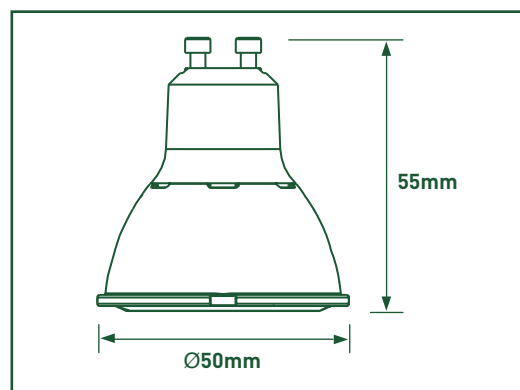


## LAMPS WIDE ANGLE

- True halogen appearance and perfect fit
- 90% energy saving versus halogen
- 10 times lifetime versus halogen
- Will retrofit any current GU10 Halogen lamp
- All Luceco dimmers are LED compatible and available in white moulded and metal finishes



|                               |                             |                           |                     |                 |                   |
|-------------------------------|-----------------------------|---------------------------|---------------------|-----------------|-------------------|
| <b>MERCURY</b><br>0.0mg<br>Hg | <b>POWER FACTOR</b><br>>0.5 | <b>BEAM ANGLE</b><br>100° | <b>WHITE FINISH</b> | <b>100-250V</b> | <b>CRI</b><br>>80 |
|-------------------------------|-----------------------------|---------------------------|---------------------|-----------------|-------------------|



3 years standard warranty available in the UK. Rest of the world may vary, please ask your local distributor for more information.

| CODE     | WATTAGE | EQUIV. WATTAGE | CURRENT | OPERATING FREQUENCY | USEFUL LUMENS | ACTUAL LUMENS | CCT   | LIGHT COLOUR | IGNITION TIME | START UP TIME | SWITCHING CYCLES | LIFETIME | MAINTENANCE FACTOR | DIMMABLE |
|----------|---------|----------------|---------|---------------------|---------------|---------------|-------|--------------|---------------|---------------|------------------|----------|--------------------|----------|
| LGW5W30W | 5W      | 35W            | 38mA    | 50-60               | 240           | 300           | 2700K | WARM         | <2            | <0.5          | ≥12500           | 25,000   | 80%                | NON DIM  |
| LGN5W30W | 5W      | 35W            | 38mA    | 50-60               | 240           | 300           | 4000K | NATURAL      | <2            | <0.5          | ≥12500           | 25,000   | 80%                | NON DIM  |
| LGC5W30W | 5W      | 35W            | 38mA    | 50-60               | 240           | 300           | 6500K | COOL         | <2            | <0.5          | ≥12500           | 25,000   | 80%                | NON DIM  |
| LGW7W50W | 7W      | 50W            | 57mA    | 50-60               | 400           | 500           | 2700K | WARM         | <2            | <0.5          | ≥7500            | 15,000   | 80%                | NON DIM  |
| LGN7W50W | 7W      | 50W            | 57mA    | 50-60               | 400           | 500           | 4000K | NATURAL      | <2            | <0.5          | ≥7500            | 15,000   | 80%                | NON DIM  |
| LGC7W50W | 7W      | 50W            | 57mA    | 50-60               | 400           | 500           | 6500K | COOL         | <2            | <0.5          | ≥7500            | 15,000   | 80%                | NON DIM  |

### STANDARDS

|            |                                                                                |
|------------|--------------------------------------------------------------------------------|
| LVD:       | IEC62560:2011, IEC62471:2006, IEC62493:2009                                    |
| EMC:       | EN55015:2013, EN61000-3-2:2006/A1:2009/A2:2009, EN61000-3-3:2013, EN61547:2009 |
| RoHS:      | 2011/65/EU EN62321:2009                                                        |
| PAHS       | AfPS GS2014:01 PAK                                                             |
| REACH ERP: | 1194/874                                                                       |



All rights reserved. Reproduction in whole or part is prohibited without the prior written consent of the copyright owner. The information presented in this document does not form part of any quotation or contract, is believed to be accurate and reliable and may be changed without notice. No liability will be accepted by the publisher for any consequence of its use. Publication thereof does not convey nor imply any license under patent or other industrial or intellectual property rights.

Tech Help Line  
UK - **03300 249 279**  
Non UK - **+44 (0)1952 238 100**

Supplied by Nexus Industries Ltd  
Nexus Distribution Centre, Stafford Park 1  
Telford, Shropshire, TF3 3BD

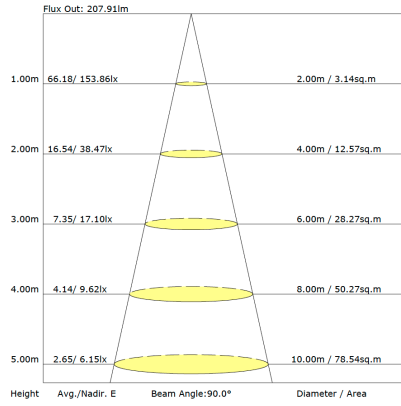
Visit our website at  
**www.luceco.uk**

# LUCECO PHOTOMETRIC DATA

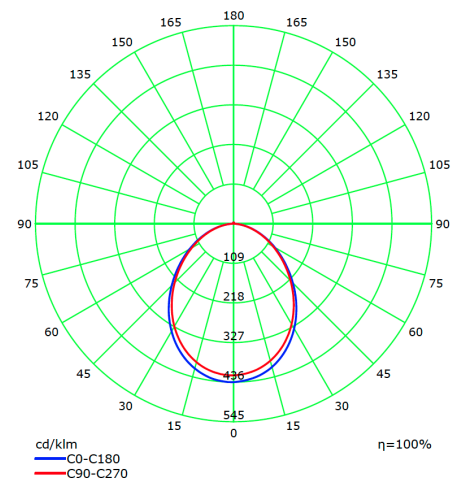
## LGX5W30W

**ENERGY** Y IJA  
 энергия · ενέργεια  
**LUCECO**  
 A++  
 A+ **A+**  
 A  
 B  
 C  
 D  
 E  
**5W** kWh/1000h

The average illuminance effective figure



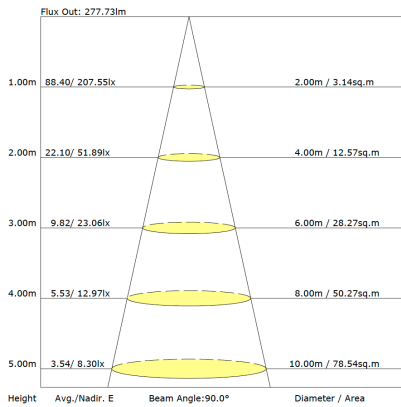
Luminous Intensity Distribution Curve(cd/klm)



## LGX7W50W

**ENERGY** Y IJA  
 энергия · ενέργεια  
**LUCECO**  
 A++  
 A+ **A+**  
 A  
 B  
 C  
 D  
 E  
**7W** kWh/1000h

The average illuminance effective figure



Luminous Intensity Distribution Curve(cd/klm)

